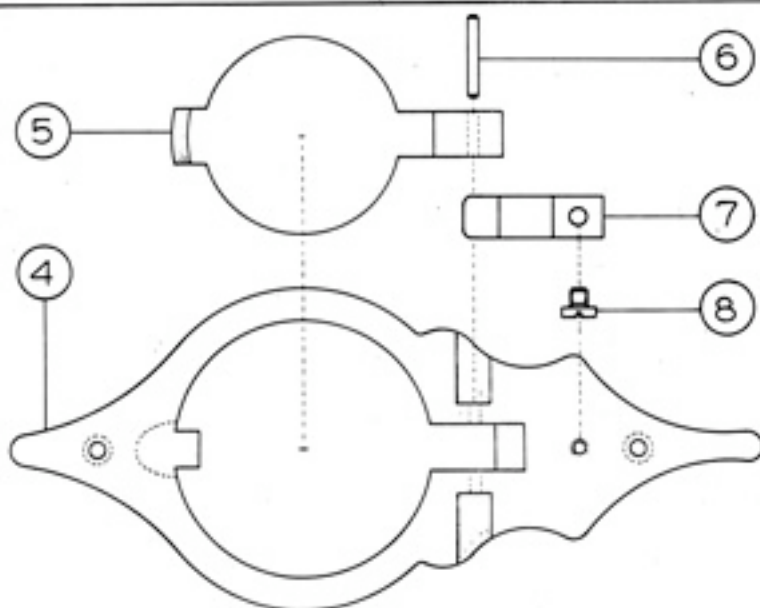
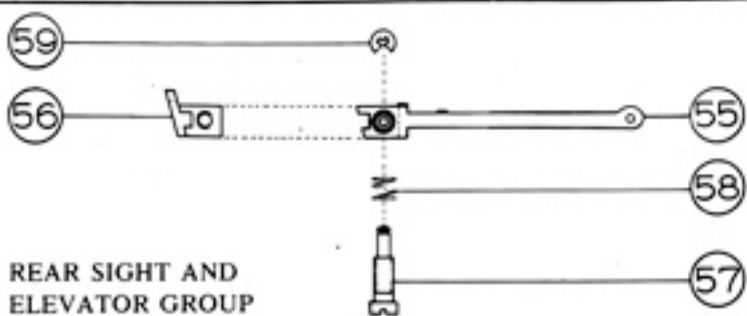


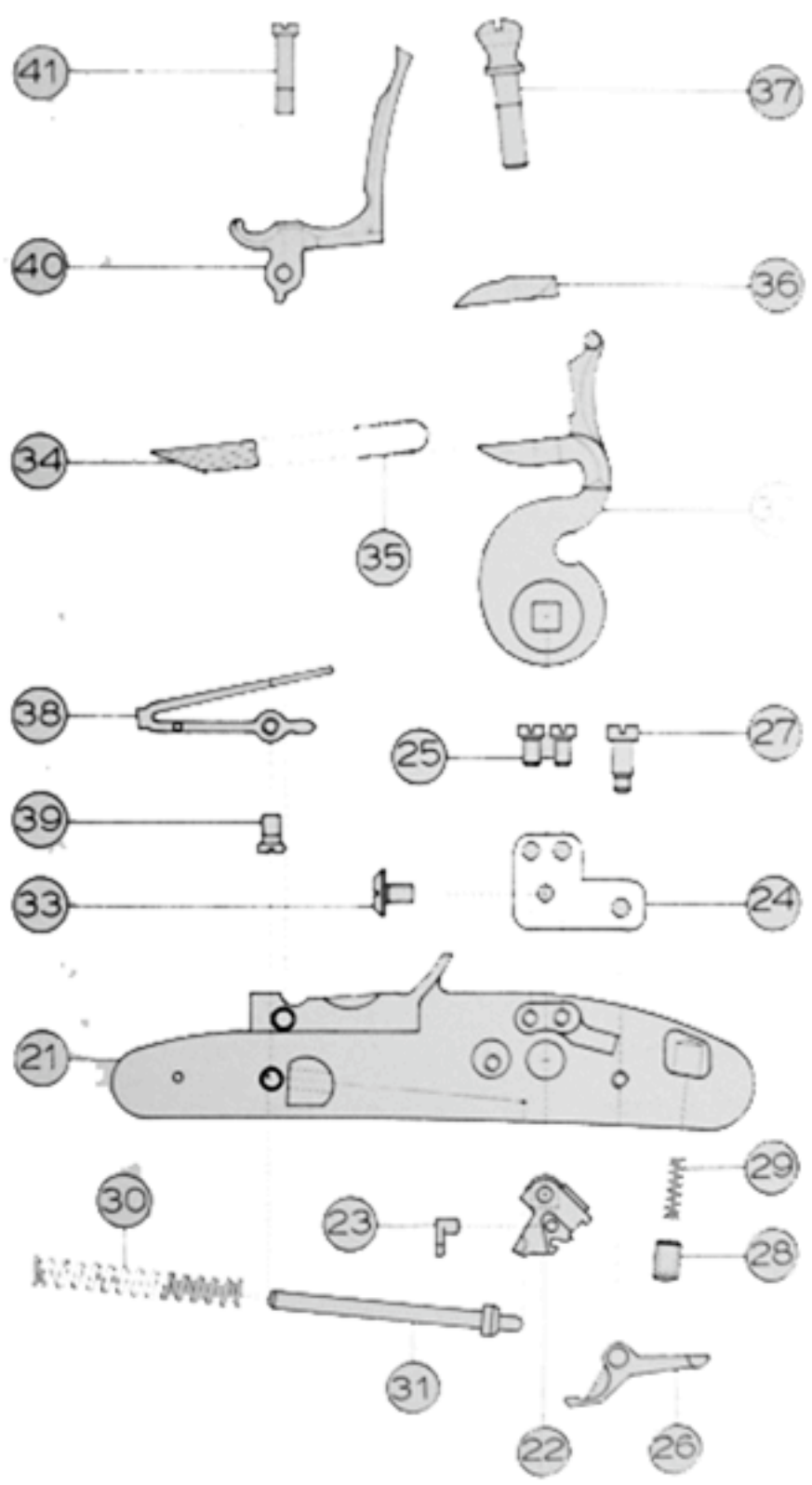
TRIGGER GROUP

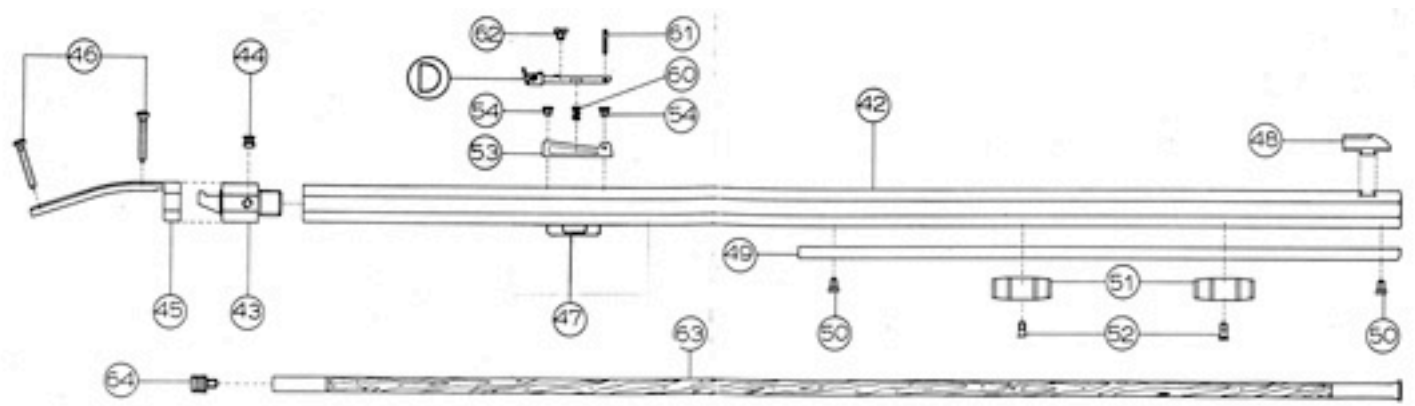


PATCH BOX GROUP

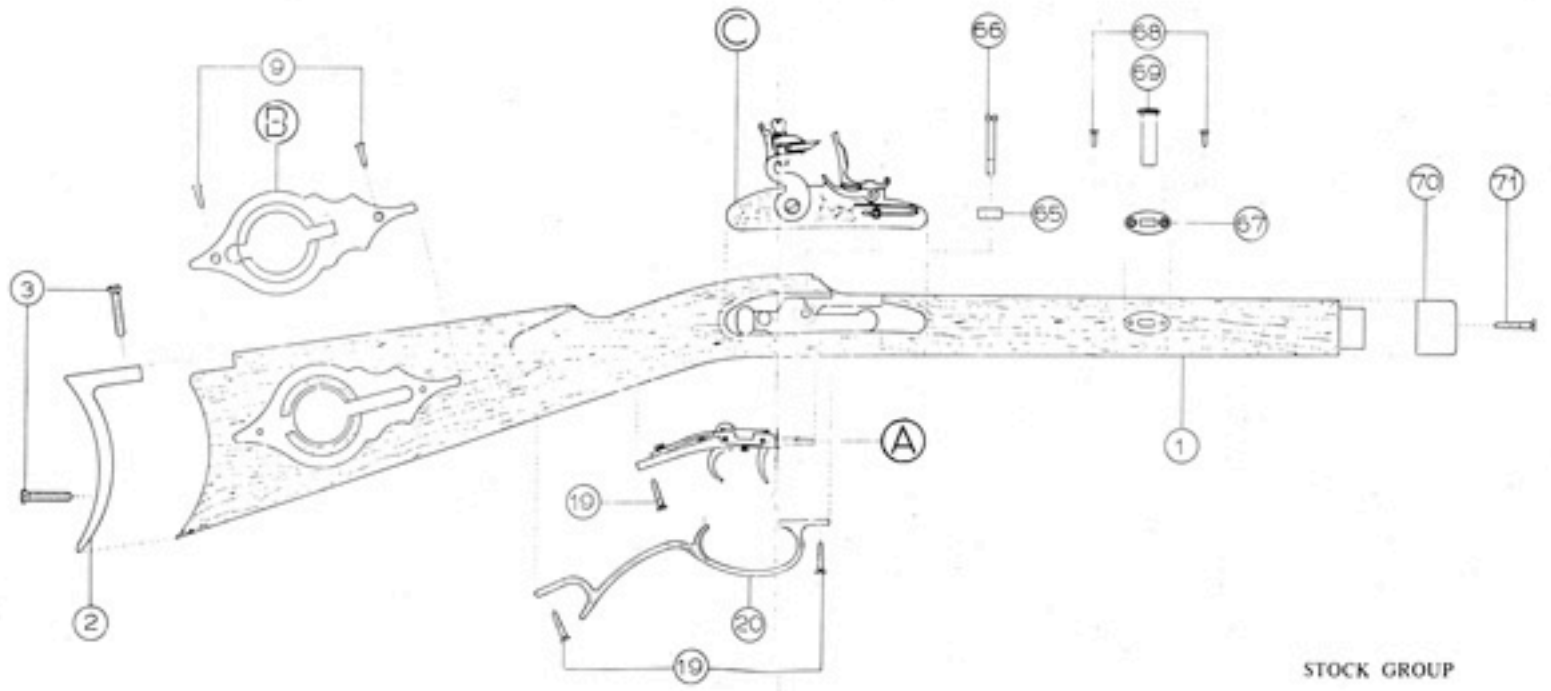


REAR SIGHT AND ELEVATOR GROUP





BARREL GROUP



STOCK GROUP

COMPONENTS

PART NUMBER AND DESCRIPTION

1	Stock	33	Hammer Mounting Screw
2	Butt Plate	34	Lock Mounting Screw Bushing
3	Butt Plate Mounting Screw	35	Lock Mounting Screw
4	Patch Box Plate	36	Escutcheon
5	Patch Box Cover	37	Escutcheon Mounting Screw
6	Patch Box Pin	38	Wedge
7	Patch Box Spring	39	Forend Cap
8	Patch Box Spring Mounting Screw	40	Forend Cap Mounting Screw
9	Patch Box Mounting Screw	41	Barrel
10	Trigger Plate	42	Breech Plug
11	Hair Trigger	43	Cleanout Plug
12	Set Trigger	44	Nipple
13	Trigger Pivot Pin	45	Tang
14	Hair Trigger Spring	46	Tang Mounting Screw
15	Hair Trigger Adjusting Screw	47	Barrel Lug
16	Trigger Main Spring	48	Front Sight
17	Trigger Main Spring Mounting Screw	49	Barrel Rib
18	Trigger Main Spring Adjusting Screw	50	Barrel Rib Mounting Screw
19	Trigger Guard and Plate Mounting Screw	51	Thimble
20	Trigger Guard	52	Thimble Mounting Screw
21	Lockplate	53	Rear Sight Base
22	Tumbler	54	Rear Sight Base Mounting Screw
23	Fly	55	Rear Sight Elevator
24	Bridle	56	Rear Sight
25	Bridle Mounting Screw	57	Rear Sight Adjusting Screw
26	Sear	58	Rear Sight Spring
27	Sear Mounting Screw	59	Rear Sight Adjusting Screw Ring
28	Sear Plunger	60	Rear Sight Elevator Spring
29	Sear Plunger Spring	61	Rear Sight Elevator Pin
30	Lock Main Spring	62	Rear Sight Elevator Adjusting Screw
31	Lock Main Spring Plunger	63	Ram Rod
32	Hammer	64	Cleaning Jag

A Trigger Assembly
B Patch Box Assembly

C Lock Assembly
D Rear Sight and Elevator Assembly

CAUTION

When firing your rifle, USE BLACK POWDER ONLY, as smokeless powder or other propellants are extremely dangerous.